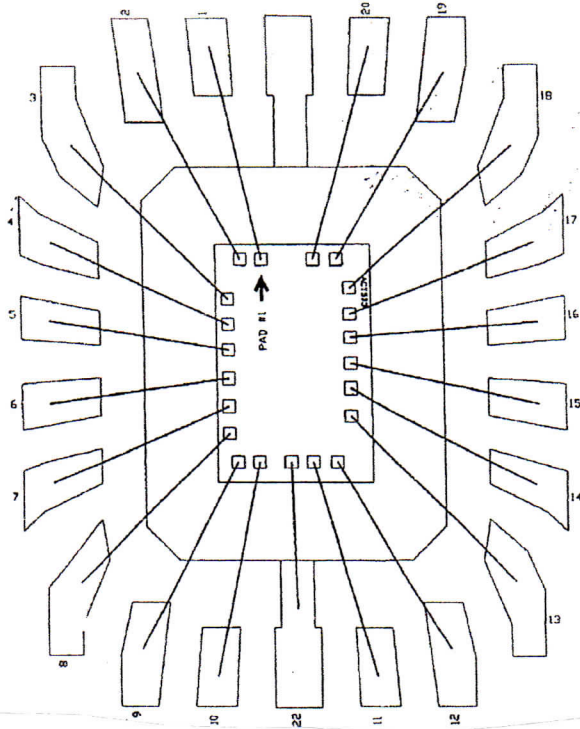




Sierra Components, Inc.

2222 Park Place • Suite 3E • Minden, Nevada 89423

Phone: 775.783.4940 Fax: 775.783.4947



Top Material: Aluminum
Backside Material: Silicon
Bond Pad Size: .004" Min.
Backside Potential:
Mask Ref: TX1014

APPROVED BY: JK

DIE SIZE : .048 x .071"

DATE: 11/10/15

MFG: Texas Inst.

THICKNESS: .026 "

P/N: 54ACT573

DG 10.1.2
Rev B, 7/19/02